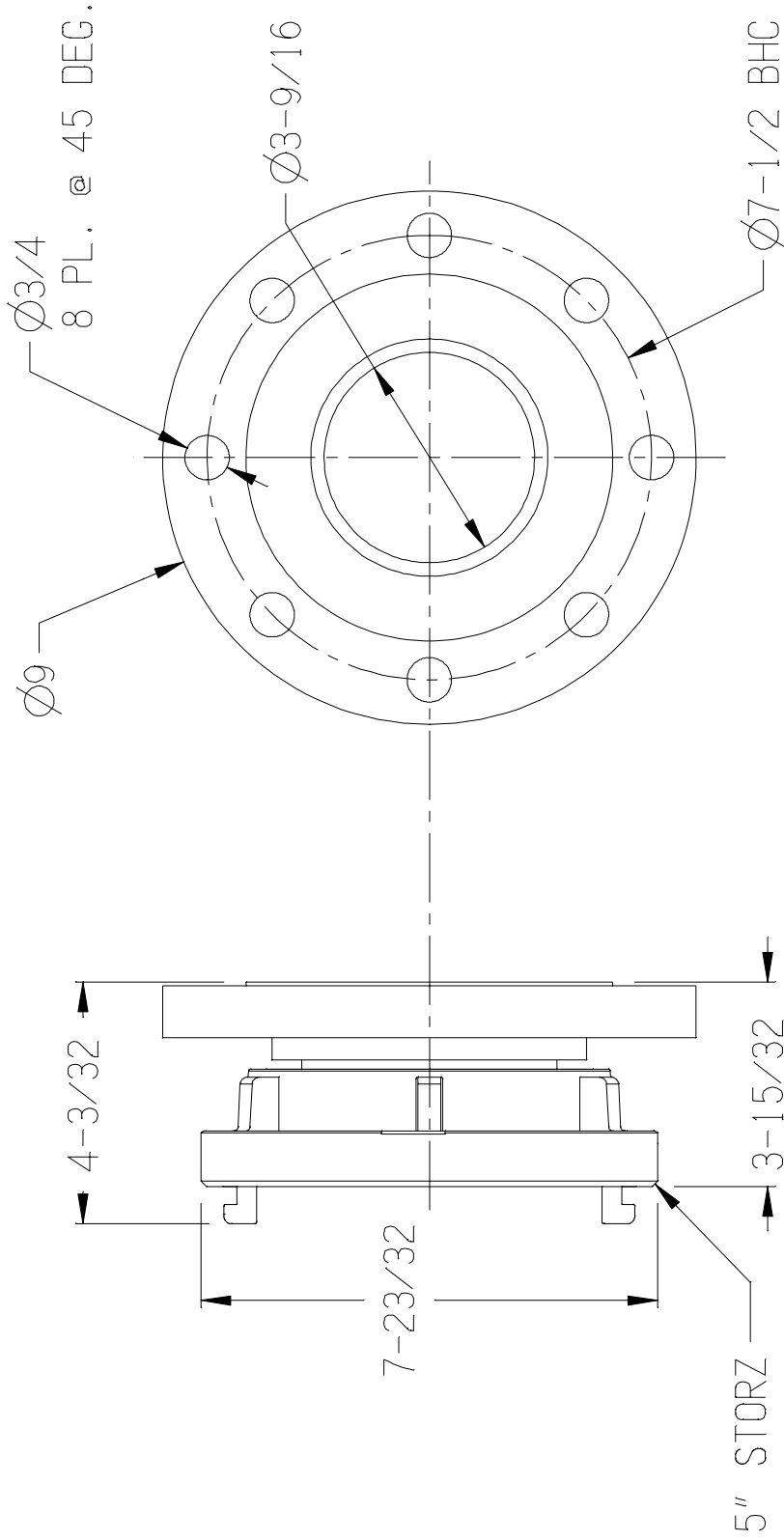


REV	DESCRIPTION	DATE	APPROVED



NOTES:
 1. ALL DIMENSIONS ARE APPROXIMATE

ROCHEK CO. INC.

PART DESCRIPTION: 5 STORZ X 4 ANSI 150#
 CARBON STEEL FLANGE

REV

DRAWN BY: MG

DWG. NO. FGS54

DATE: 07 NOV 2008

MATERIAL: SAW CUT:

SCALE: NONE

PART NO. FGS54

SHEET 1 of 1