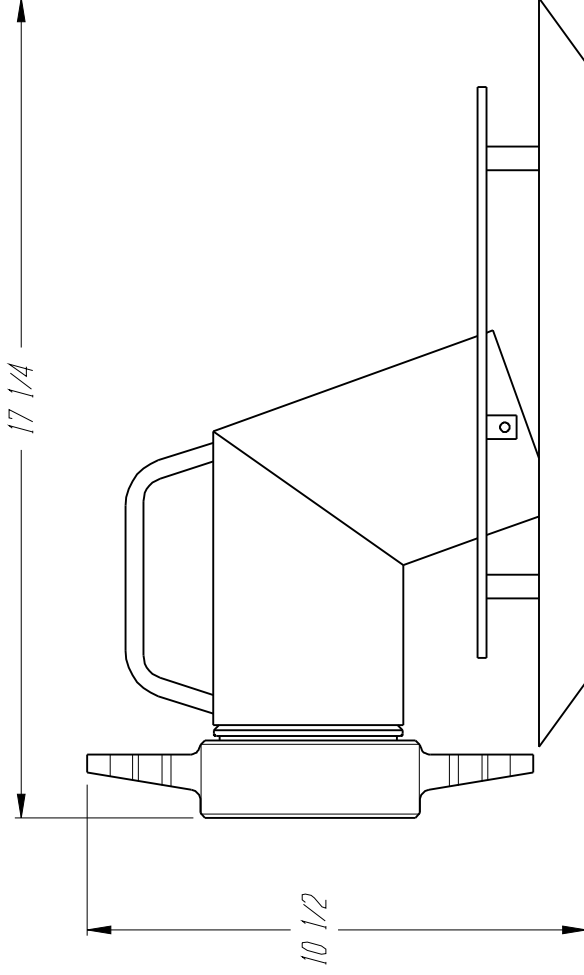


FRONT VIEW



RIGHT SIDE VIEW

ROCHEK CO. INC.

3 LOW LEVEL

REV

DWG. NO. LL30

DATE 8/18/95

1-1

MAT. ALUM. 6061-T6

PART NO. LL30

DWG. BY M.M.

SCALE NONE