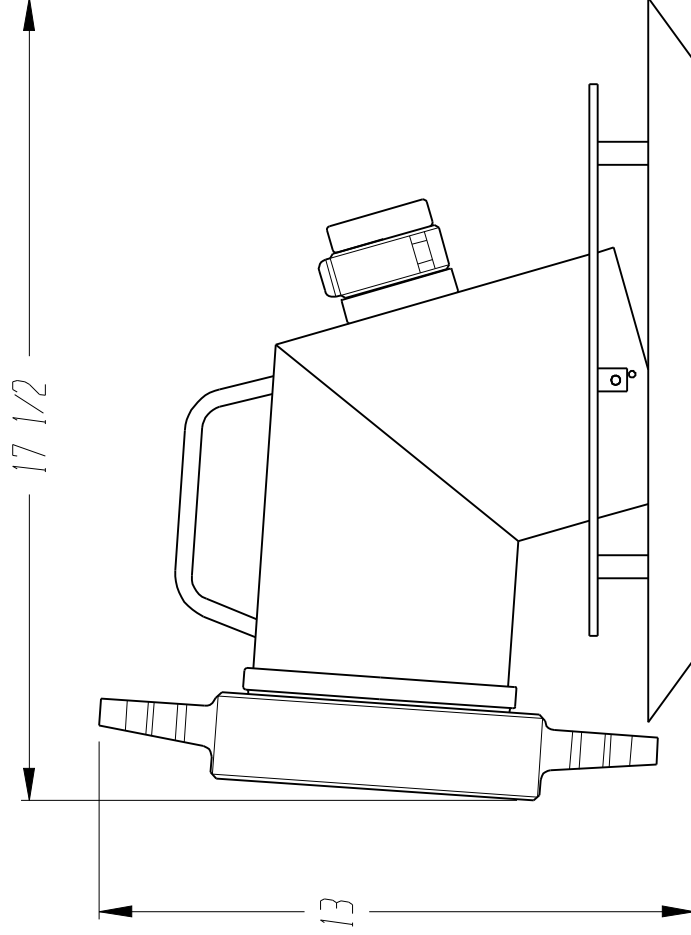



FRONT VIEW



RIGHT SIDE VIEW

NOTES:

ALL DIMENSIONS ARE APPROXIMATE  
APPROXIMATE WEIGHT: 11 LBS.

 ROCHEK CO. INC.	5	LOW LEVEL	REV	DWG. BY W.M.	DWG. NO. LL50	1-1
				SCALE NONE	DATE 8/21/95	
MAT. ALUM. 6061-T6			PART NO. LL50			