

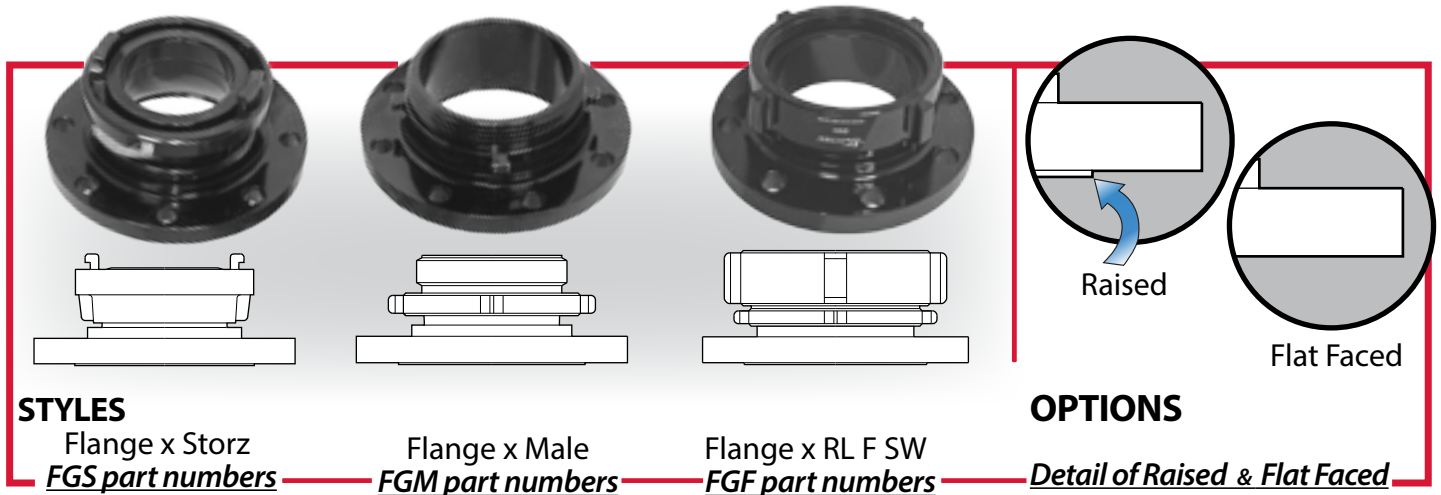


Flanges for Fire Fighting & Industrial Applications



Carbon Steel ANSI Flanges

Heavy Duty Industrial Flanges



STYLES

Flange x Storz

FGS part numbers

Flange x Male

FGM part numbers

Flange x RL F SW

FGF part numbers

OPTIONS

Detail of Raised & Flat Faced

ORDERING: -Part number listed below reflects our standard **150 lb. ANSI Raised Flange, Black powder coat**
 -For other powder coated colors add a "-Y" to the part number and indicate color Example: FGM66-Y Red
 -Available with Flat Faced ANSI Flange. Add "FF" to the part number. Example: FGM66FF
 -Available with 300 lb. ANSI Flange. Add "-300" to the part number. Example: FGM66-300 or FGM66FF-300

All Aluminum and Stainless Hybrid Construction information available upon request call 1-800-420-4673

PRESSURE RATED TO	Service	Test	Burst
	300	600	900

Flange Styles and Options

Made from Carbon Steel they can be used by in a variety of Industries:

- Fire Fighting
- Waste Water & Water management
- Industrial Applications

Our powder coat finish offers a broad selection in color.

GREAT WAY TO DESIGNATE PROPER HOOK UP.



Flange x Groove*



Flange x Camlock*



Flange x RL F SW



Flange x Male



Flange x Storz

*Call for Pricing and Part Numbers.

LASER ENGRAVING:

- Custom laser engraving of company's names and logos



				
Robin's Egg	Dark Blue	Lavender	Evergreen	Silver Fern
				
Purple	Fire Engine Red	Light Burgandy	Silvadillo	
				
Yellow/Lime	Safety Yellow	Safety Orange	Sky White	
				
Almond	Black Wrinkle	Lucy Brown	Bronze	Black