

HEAVY DUTY

Flanges for Fire Fighting & Industrial Applications



Flange X Camlock

Flange X Male



Manifolds



Flange X Storz



Flange X Groove

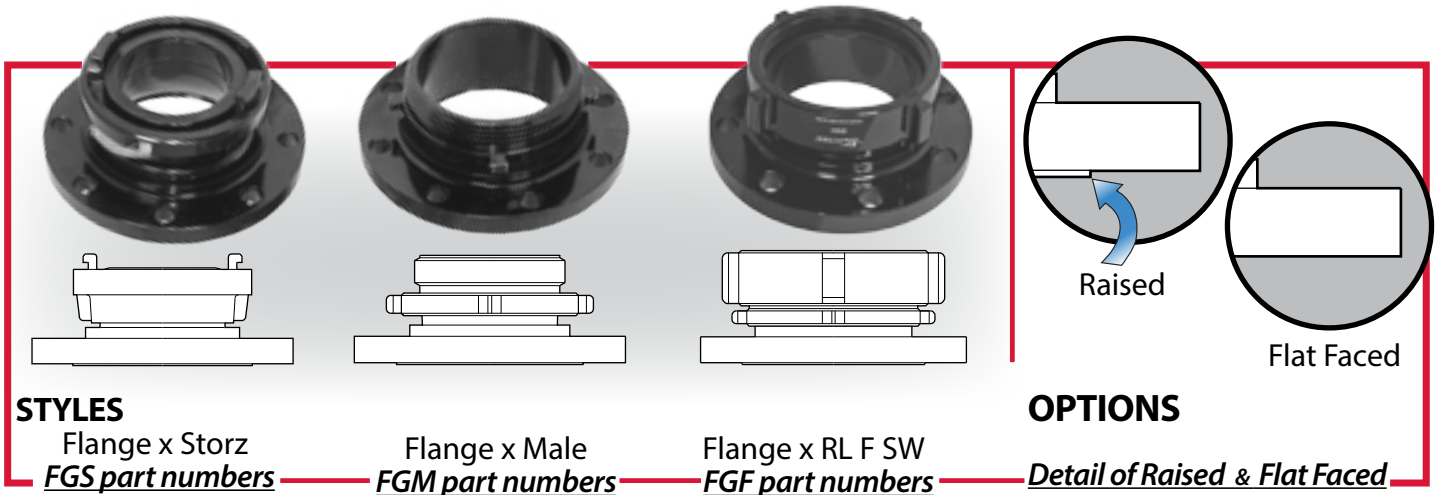


Flange X RL F SW



Carbon Steel ANSI Flanges

Heavy Duty Industrial Flanges



ORDERING: -Part number listed below reflects our standard **150 lb. ANSI Raised Flange, Black powder coat**
 -For other powder coated colors add a "-Y" to the part number and indicate color Example: FGM66-Y Red
 -Available with Flat Faced ANSI Flange. Add "FF" to the part number. Example: FGM66FF
 -Available with 300 lb. ANSI Flange. Add "-300" to the part number. Example: FGM66-300 or FGM66FF-300

All Aluminum and Stainless Hybrid Construction information available upon request

PRESSURE RATED TO	Service	Test	Burst
	300	600	900

Flange Styles and Options

Made from Carbon Steel they can be used by in a variety of Industries:

- Fire Fighting
- Waste Water & Water management
- Industrial Applications

Our powder coat finish offers a broad selection in color.

GREAT WAY TO DESIGNATE PROPER HOOK UP.



Flange x Groove*



Flange x Camlock*



Flange x RL F SW



Flange x Male



Flange x Storz

*Call for Pricing and Part Numbers.

LASER ENGRAVING:

- Custom laser engraving of company's names and logos

