

November 21, 2025



PRODUCT BULLETIN:
PVC Suction Hose - Nominal Length vs. Overall Length
Standard and Custom Products

PURPOSE:

Clarify the difference between the nominal length of a PVC suction hose as expressed in Kochek's part numbering and descriptions, and the actual overall length of the finished product.

GENERAL INFORMATION:

Standard lengths:

The overall length of a standard coupled PVC hose is always longer than the nominal length expressed in the product description and part number. The Kochek PVC hose material is cut to the specified nominal length, then the couplings are added to each end, resulting in a finished assembled product with an overall length a few inches longer than the nominal. The exact total length will depend on the diameter and type of couplings ordered. For example:

P302-08

3" X 8' FLEXLITE, 3 NH ROCKER LUG FEMALE X ROCKER LUG MALE

The nominal length of the product is 8 feet.

The PVC hose material is cut to 8 feet.

The overall length (OAL) with couplings will be approximately 8 feet, 4 inches.

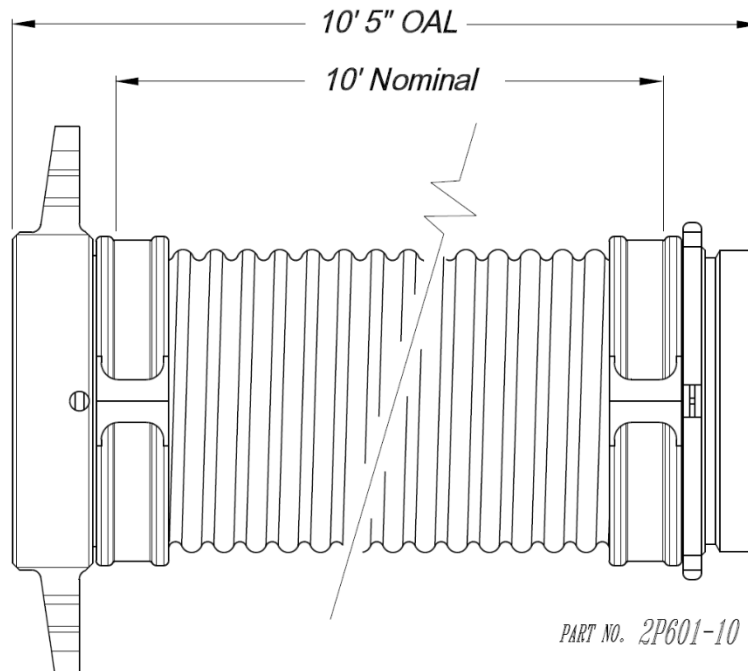
2P601-10

6" X 10' FLEXLITE, 6 NH LONG HANDLE FEMALE X ROCKER LUG MALE

The nominal length of the product is 10 feet.

The PVC hose material is cut to 10 feet.

The overall length (OAL) with couplings will be approximately 10 feet, 5 inches.





75 Highland Drive
Putnam, CT 06260
T 860.963.3377
F 860.963.3385

Custom Lengths (Made-to-Order):

Kochek can also accommodate special length requirements. In cases where PVC suction hose with a specific overall length (total assembled length, including couplings) is required, it must be made-to-order. When ordering custom lengths, clear requirements, dimensions and instructions must be included with your order.

To determine the Kochek part number, first round up to the nearest foot to get the base part number, then add “-CUSTOM” at the end. For example:

2P601-08-CUSTOM

6 X 8' (CUSTOM) FLEXLITE, 6 NH LONG HANDLE FEMALE X ROCKER LUG MALE

Next, include a brief but specific description of the custom length on your purchase order. Some possibilities for the above item could be:

“95 inches overall length”

“8 feet OAL”

“7 feet 7 inches total length, including couplings”

Keep in mind that our standard manufacturing length tolerance for PVC suction hose is ± 1 inch. If your application has a hard length constraint due to limited storage space, we recommend ordering 1 inch shorter than the space available. Large swings in temperature can also temporarily affect the actual length of this product while in service.

Please call your Sales Manager or Inside Sales Representative if you have any questions.

Jon Riel
Product Manager
Kochek Company LLC